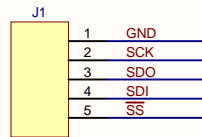
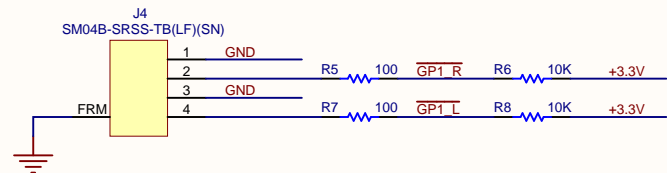


FIPSY LOGIC

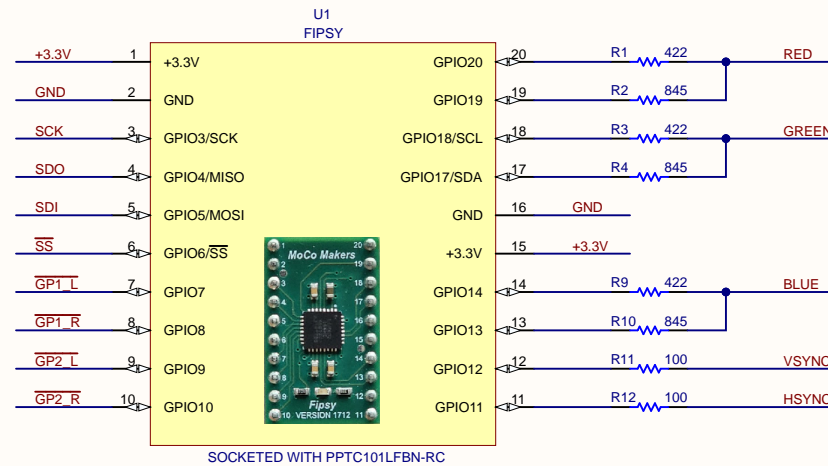
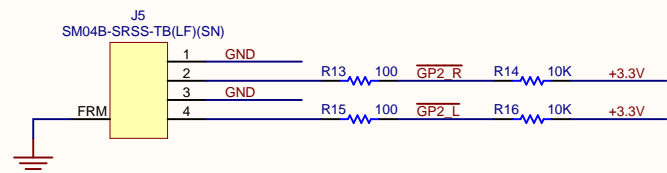
PROGRAMMING HEADER



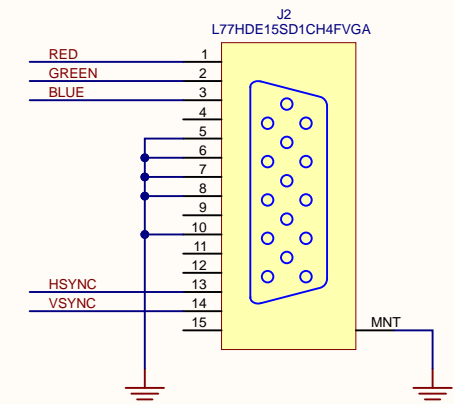
GAME PAD 1



GAME PAD 2

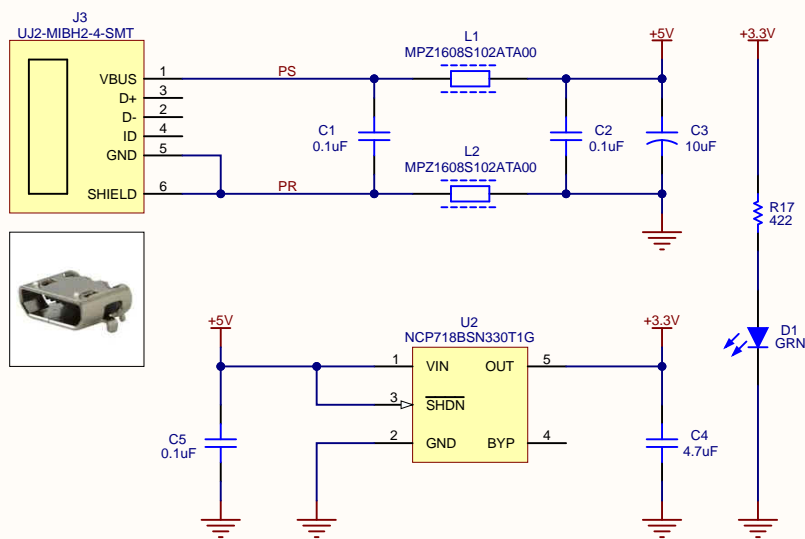


VGA CONNECTOR



POWER SUPPLY

USB ACTS ONLY AS A POWER CORD HERE, BUT THE CONNECTION STILL COMPLIES WITH USB SPECIFICATIONS, EXCEPT THERE IS NO DATA, SO THERE ARE NO SHIELD CONSIDERATIONS, AND A POWER SUPPLY WITH THIS CONFIGURATION WILL GENERALLY ALWAYS BE 5V



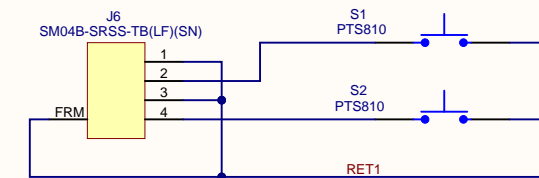
Fipsy VGA

WWW.FIPSYFPGA.COM

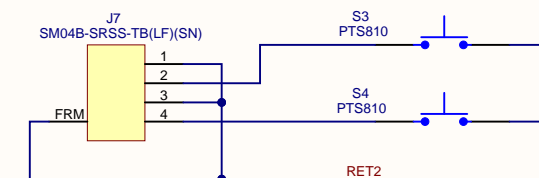
A COLLABORATIVE PROJECT OF THE MOCO MAKERS COMMUNITY

DESIGNED AND MANUFACTURED AT HOME IN
GAITHERSBURG, MD USA

GAME PAD 1



GAME PAD 2



BOARD FEATURES FOR ASSEMBLY



TITLE: FIPSY VGA COMPANION BOARD		Allied Component Works 18908 Premiere Court Gaithersburg, MD 20879 (301) 366-0142	
DRAWING: MCM25001_FIPSYVGA_X2	REVISION: X2		
MODIFIED: 4/25/2025	SHEET 1 OF 1		
CAD FILE: MCM25001_FIPSYVGA_X2.SchDoc			